

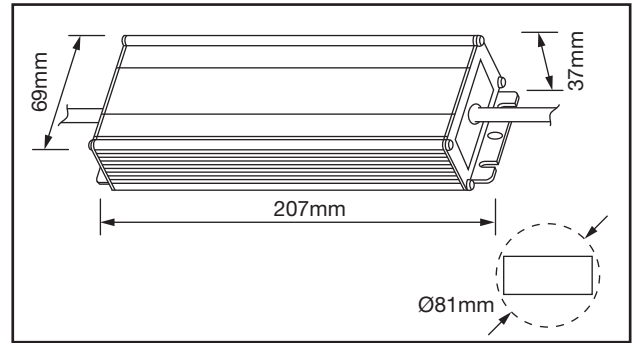
ADRCV24150/IP

150W IP67 24V DC Constant Voltage LED Driver

Drive24

PRODUCT FEATURES

- 24V DC Output
- Pre-Wired Unit
- Fully Insulated IP67 Rated
- Enclosed Extruded Aluminium Housing
- Pre-Flexed With Toughened Rubber Cables
- High Efficiency
- SELV, Short Circuit, Overload, Over-Voltage, Over-Current And Thermal Protection
- Load De-Rating Not Required



TECHNICAL SPECIFICATIONS

PRODUCT CODE	ADRCV24150/IP
Operating Voltage	220-240V AC
Operating Current (A max)	0.74
Max Output Power	0 - 150W
Output Current (Max)	6.25A
Output Voltage	24V DC
Power Factor	0.98
Efficiency %	90%
No Load Power (W)	0.5W
Class	I
Body Material	Aluminum
Switching Cycles	100,000
Ingress Protection	IP67
Ambient Operating Temperature (°C)	-15°C ~ +45°C
Input Frequency (Hz)	50-60Hz
Guarantee	5 Years
Output type	CV
Lifetime	30,000 Hrs

